



Part no.	IX2202
Product Name	Pentaband antenna magnetic mount with 2m cable
Recommended for	3G
Feature	2m cable 800 MHz to 2200 MHz GSM/CDMA/HSPA/UMTS Magnetic mount Superior Super Magnet – Neodymium N35 Extended operation temperature range RoHS Compliant 12cm long SMA Male

Electrical

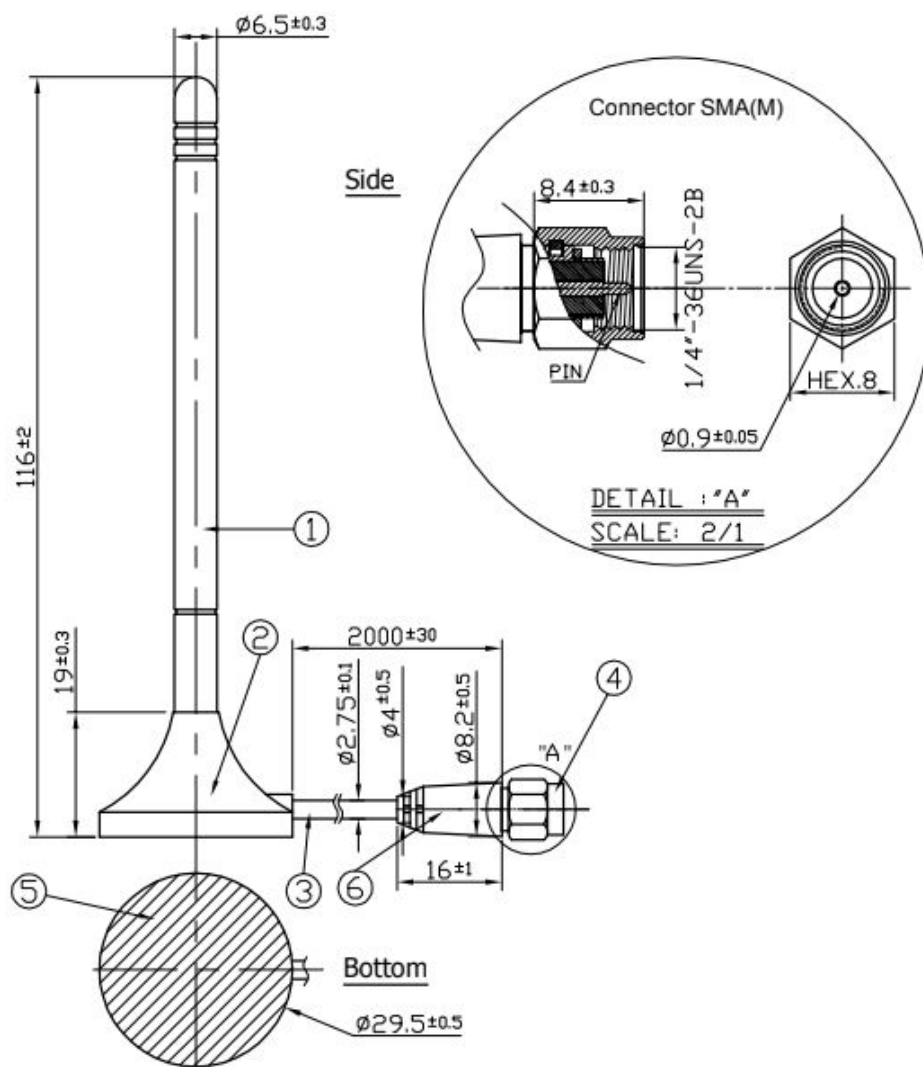
Communication system	AMPS	GSM	DCS	PCS	UMTS
Frequency (MHz)	824- 896	880-960	1710-1880	1850-1990	1710-2170
Efficiency*	35%	45%	2%	22%	22%
Gain (dBi)	2.6	5.0	-2.2	-1.0	-0.7
Impedance	50 Ω				
Polarization	Linear				
Radiation Pattern	Omni-directional				
Input power	50 W				

*in free space

Environmental

Temperature range	-40°C to 85°C
Casing	Non-condensing 65°C 95% RH

Mechanical drawing (unit:mm)



	Name	Material	Finish	QTY
1	GA.107 Antenna Housing	TPU	Black	1
2	Holder	ABS	Black	1
3	RG174	PVC	Black	1
4	SMA(M)	Brass	Gold	1
5	Sticker	Polyester	White	1
6	Strain Relief Bushing	PE	Black	1

IXON makes no warranties based on the accuracy or completeness of the contents of this document and reserves the right to make changes to specifications and product descriptions at any time without notice. IXON reserves all rights to this document and the information contained herein. Reproduction, use or disclosure to third parties without express permission is strictly prohibited. Copyright © IXON B.V.