



Cable can differ from picture



Part no.	IX2205
Product Name	Wideband antenna screw mount with 3m cable, IP67
Recommended for	3G / 4G
Feature	3 meter low loss cable CFD200 cable SMA(M) Low profile, height just 48 mm and diameter 50 mm Heavy duty screw mount UV and vandal resistant ABS housing and thread 698 to 960 MHz, 2.4 Ghz and 1710 to 2700 MHz LTE/GSM/CDMA/DCS/PCS/WCDMA/UMTS/HSDPA/ GPRS/EDGE/IMT/WIFI Extended operation temperature range IP67 compliant RoHS compliant

Electrical

Standard	4G	3G	2G	2.4Ghz
Frequency (MHz)	700- 960	1710-2170	2500-2800	2400-2483
Efficiency*	40%	55%	40%	38%
Gain (dBi)	1.2	3.2	2.5	1.5
Impedance	50 Ω			
Polarization	Linear			
Radiation Pattern	Omni-directional			
Input power	5 W			

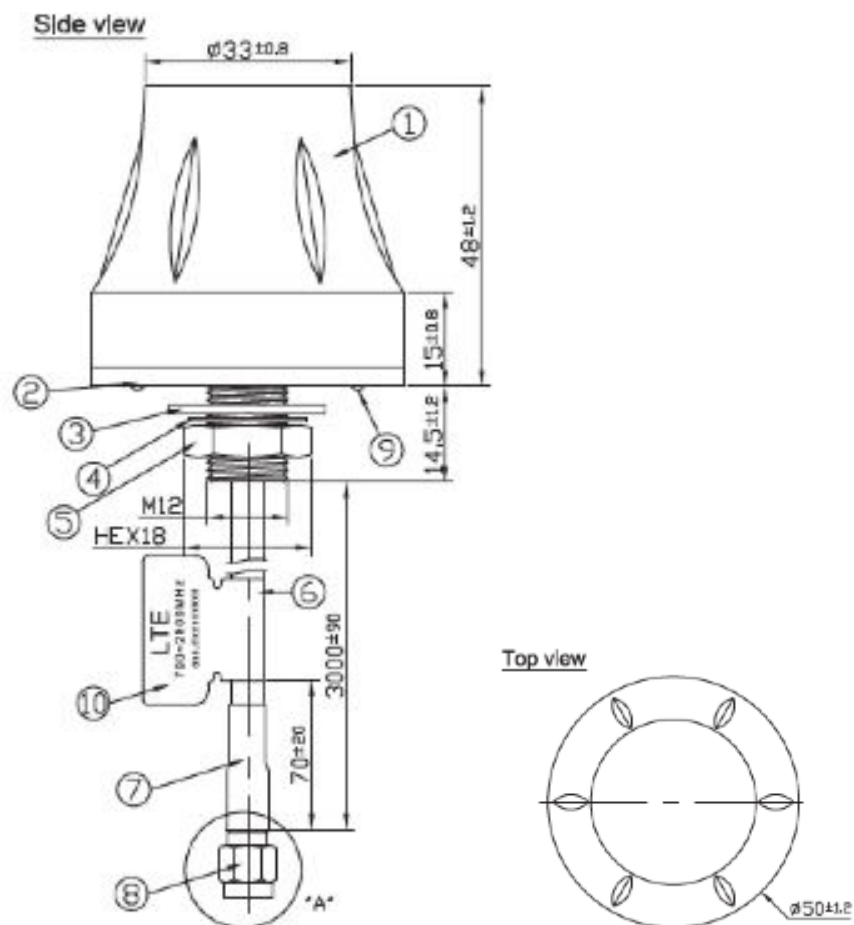
*in free space

Environmental

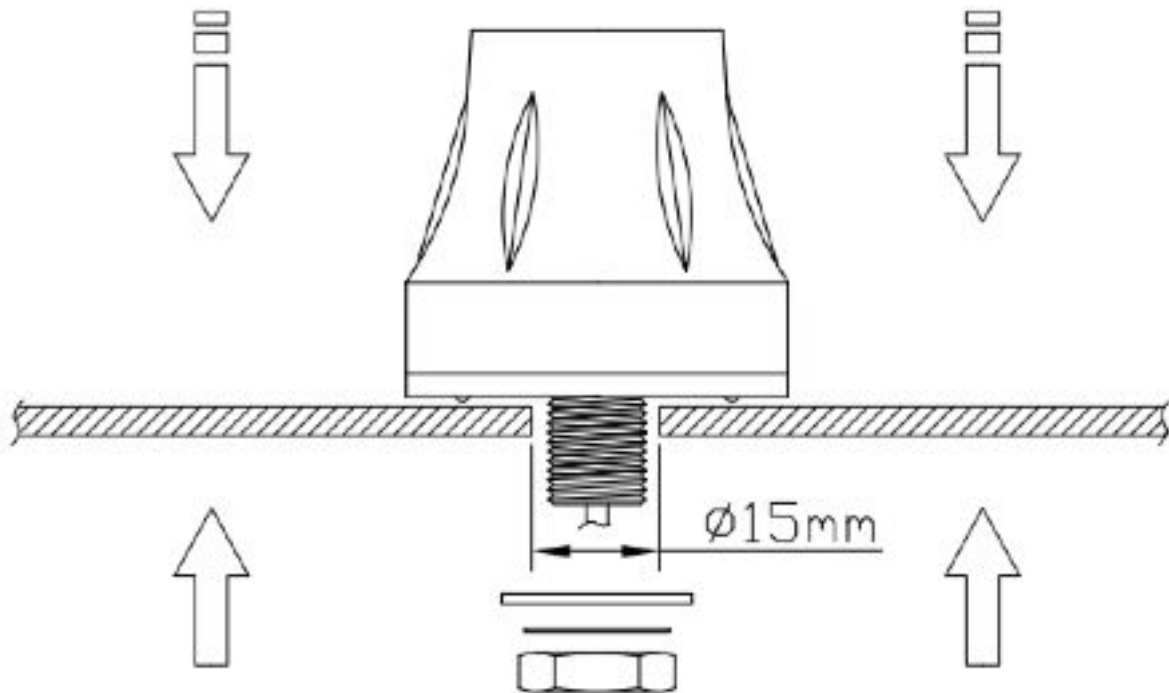
Temperature range	-40°C to 85°C
Storage Temperature	-40°C to 85°C
Casing	Non-condensing 65°C 95% RH

Mechanical drawing (unit:mm)

1	Housing Top	ABS Black
2	Housing bottom	ABS Black
3	Gasket	POM Red
4	Multi Tooth Washer	Iron Zinc
5	Nut M12	Copper Nickel
6	CFD200	PVC Black
7	Heat Shrink Tube	PE Black
8	SMA(M) ST	Brass Gold
9	O-Ring	NBR Black
10	Label	PET White



Mounting Instructions (unit:mm)



IXON makes no warranties based on the accuracy or completeness of the contents of this document and reserves the right to make changes to specifications and product descriptions at any time without notice. IXON reserves all rights to this document and the information contained herein. Reproduction, use or disclosure to third parties without express permission is strictly prohibited. Copyright © IXON B.V.
